

# USB-C OVER DISTANCE MADE SIMPLE

Reliable data, video, and power — from desk to installation.



CONTACT US



DISCOVER **LINDY**  
lindy.com

# THE GROWING DEMAND FOR USB-C OVER DISTANCE

USB-C is now the standard interface across modern devices — but performance over distance remains a challenge. Beyond standard cable lengths, signal integrity becomes compromised:

- Signal loss beyond short lengths
- Unstable video (flicker / drop)
- Power inconsistencies

Lindy solves this — delivering reliable data, video and power over distance, with no additional hardware required.

Selecting the right USB-C solution doesn't need to be complicated

Feature	Copper Cable	Hybrid Cable
Available Lengths	3m [No. 43348], 5m [No. 43308]	10m [No. 43398], 15m [No. 43399]
Power Delivery	100 W (20V, 5A)	60 W (20V, 3A)
Video Resolution	8K60 Hz / 4K120 (DP 1.4)	8K30 Hz / 4K144 (DP 1.4)
Data Transfer	10 Gbit/s	10 Gbit/s
EMI Protection	Standard (via shielding)	Technology-based (fiber optic component)
Directional	No	Yes*
Best for	Docking, AV ≤ 5m, maximum charging performance	IT installations, EMI-critical environments up to 15m

## Applications of the different cables

### 3m Active Cables



Extend beyond standard cables

### 5m Active Cables



Workspace & meeting room solution

### 10m Fibre Hybrid



Professional AV environments

### 15m Fibre Hybrid



Installation & large-scale deployments

# THE GROWING DEMAND FOR USB-C OVER DISTANCE

Modern environments demand more from USB-C than ever before.

From meeting rooms to large-scale installations, reliable connectivity over distance is essential.

Customers need simple, reliable USB-C connectivity beyond standard cable limits.



1. Digital Signage
2. Hybrid workspaces
3. Meeting room
4. Education and lecture theatres
5. Professional AV installations



### 3/5m USB 3.2 USB-C TO C ACTIVE CABLE, 10Gbps, 8K60, 100W PD

#### Reliable extension beyond standard USB-C cable limits

The Lindy 3m/5m USB 3.2 Gen 2 Active Cable is a high-performance USB-C solution designed to extend connectivity beyond standard cable limitations. With integrated active electronics, it ensures reliable data, video, and power transmission in a single plug & play connection. Built for professional AV and IT environments, it provides a simple, dependable solution where longer USB-C cable runs are required without compromising performance.

#### Typical Sectors



Office



Government & Public sector



Retail & Point of Sale



Education & Training



Meeting Rooms

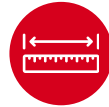


Digital Signage

No. 43348/43308



## AT A GLANCE



**3m/5m USB-C Active Cable**  
Reliable high-performance connection beyond standard lengths



**DP 1.4 Alt Mode**  
Supports high-resolution video up to 8K60Hz / 4K144Hz



**USB 3.2 Gen 2 (10Gbps)**  
Fast, stable transfer for modern devices & storage



**Active Electronics**  
Maintains data & video integrity over extended distances



**100W USB Power Delivery**  
Delivers power and charging through a single cable



**Plug & Play**  
No drivers or software required

## APPLICATIONS

### LFDs in AV Installations

Establish reliable, long-distance connections between laptops and large format displays in control suites or event setups.

### Modern Workstations

Simplify cable clutter by combining power, data, and video in one 3m/5m USB-C solution.

### Digital Signage Setups

Deliver high-performance USB and video to displays in retail or public venues without the need for extenders.

### Flexible Hot-Desking

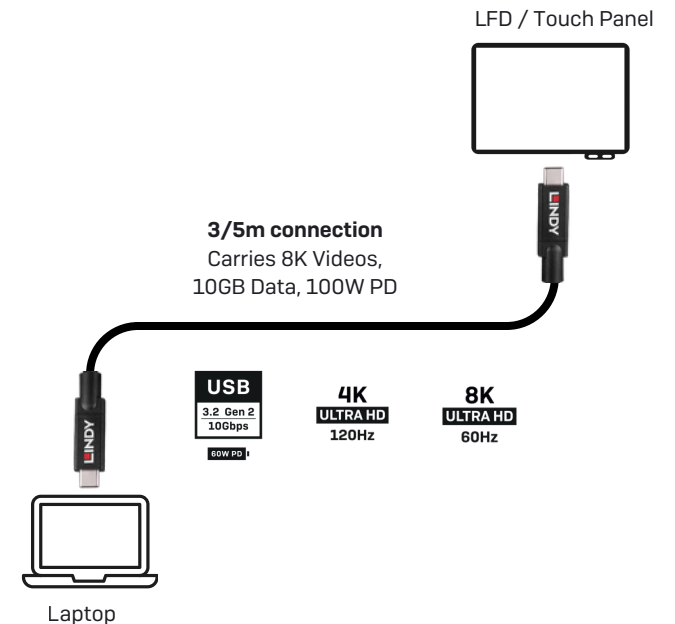
Provide extended reach across expansive desk layouts in hybrid offices and co-working spaces.

### Education & Training

Enable plug-and-play setups for classrooms or training rooms where distance to devices varies.

### Meeting & Presentation Rooms

Seamlessly connect centralised control devices to displays and peripherals across the room.





## 10m/15m USB 3.2 USB-C to C Fibre Hybrid Cable, 10Gbps 4K144, 60W PD

### Professional long-distance USB-C for AV environments

The Lindy 10/15m USB 3.2 Gen 2 & DP 1.4 Type C Hybrid Cable is a professional USB-C solution designed for reliable long-distance connectivity.

Using fibre optic hybrid technology, it enables stable transmission across 10/15 metres, making it ideal for meeting spaces, classrooms, and professional AV environments.

### Typical Sectors



Office



Government & Public sector



Retail & Point of Sale



Education & Training



Meeting Rooms



Digital Signage

No. 43398/43399



## AT A GLANCE



**10/15m Fibre Optic Hybrid Cable**  
Maintains high-speed data and video over extended distances



**RFI / EMI Resistance**  
Ideal for AV-critical, industrial, and sensitive environments



**USB 3.2 Gen 2 (10Gbps)**  
Supports high-speed data transfer for demanding workflows



**DP 1.4 Alt Mode**  
Supports high-resolution video up to 8K30Hz / 4K144Hz



**60W Power Delivery**  
Provides power to connected laptops and devices



**Flexible Cable Design**  
Simplifies installation through desks, walls, and mounts

## APPLICATIONS

### Meeting & Conference Rooms

Connect laptops to LFDs and USB-C displays across long distances.

### Classrooms & Auditoriums

Clean, interference-resistant AV installation.

### Digital Signage

Integrate display, power, and control in one cable run.

### Creative Studios

Power and connect USB-C monitors and devices at a distance.

### Enterprise Workstation

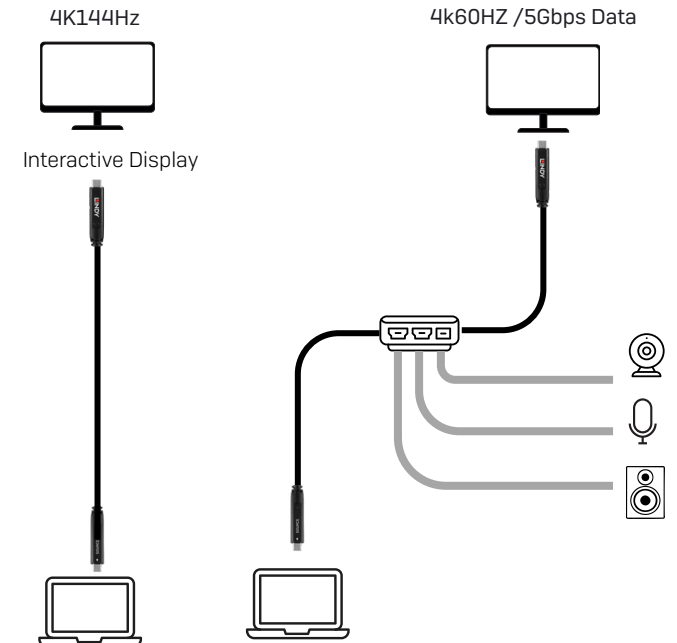
Enable high-speed, high-resolution connections in flexible setups.

### Retail & Point-of-Sale Systems

Clean, long-distance connections from back-office to displays.

### BYOD/BYOM Setups

Compatible with systems like and ViewSonic ViewBoard and Inogeni TOGGLE ROOMS.



## PARTNER SOLUTIONS

### INOGENI

The combination of Inogeni's Toggle Rooms/XT and Lindy USB- C Hybrid cable (No. 43399) provides a practical and scalable solution for meeting rooms of all sizes. By eliminating manual switching hassles and USB connectivity limitations, this setup enhances productivity and streamlines meeting experiences.



### neat.

Neat's user-friendly devices pair seamlessly with Lindy's high-performance USB-C solutions (No.43398 & No. 43399) ensuring full functionality across any room size. Together, they deliver a streamlined, dependable AV experience—ideal for modern, future-ready meeting spaces.

